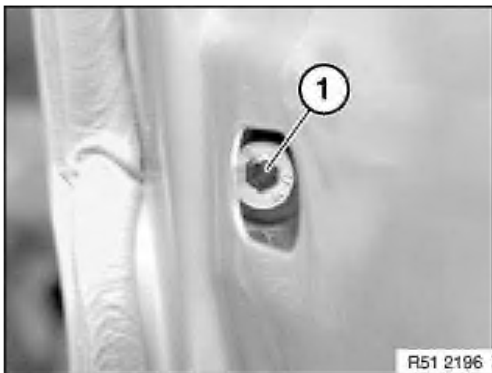




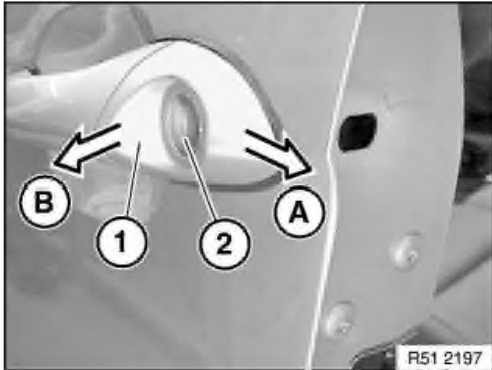
Remove plate (1).

**Installation:**

Fit new plate (1).

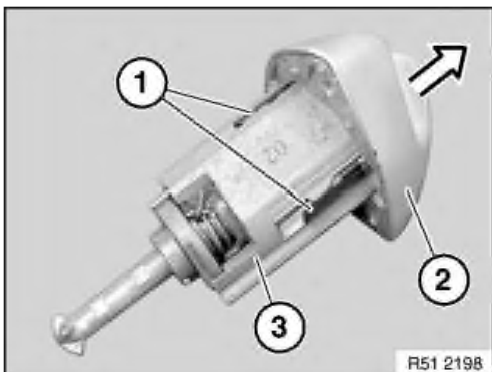


Release screw (1).



Removing cover (1) on outside handle:

- A Pull cover (1) approx. 1 ... 2 mm towards rear.
- B Detach cover (1) with lock barrel (2) towards outside.



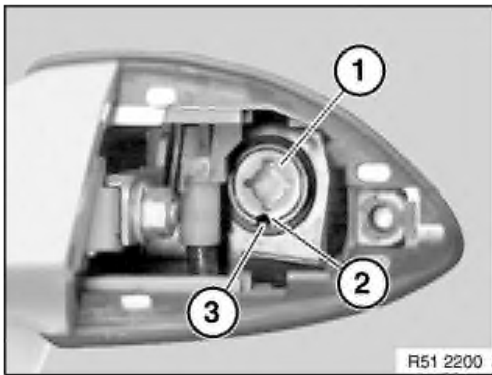
Remove catches (1) and detach cover (2) from lock cylinder (3).



**Installation:**

Catches (1) on cover (2) must not be damaged.

- 3 Lock cylinder



**Installation:**

Notch (2) on paddle support (1) must be secured in catch (3).

Only in this position will installation of the lock barrel be guaranteed.